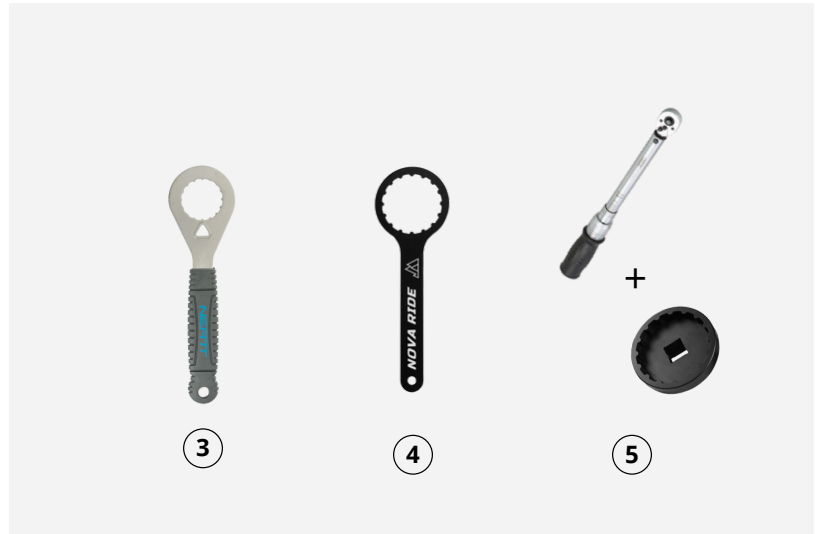




## **THREADED BOTTOM BRACKET BSA & ITA & T47**

# TOOLS NEEDED

1. Degreaser
2. Lithium grease
3. **BSA & ITA 24mm** : Hollowtech II Bottom bracket tool Shimano type
4. **BSA & ITA 29/30mm & all T47 24/29/30mm versions** : Nova Ride tool provided  
or
5. Torque wrench and big Nova Ride Tool



# INSTALLATION VIDEO

For installation tutorial video, please follow the instructions in the threaded installation video to properly mount your new bottom bracket on our Nova Ride Youtube channel.

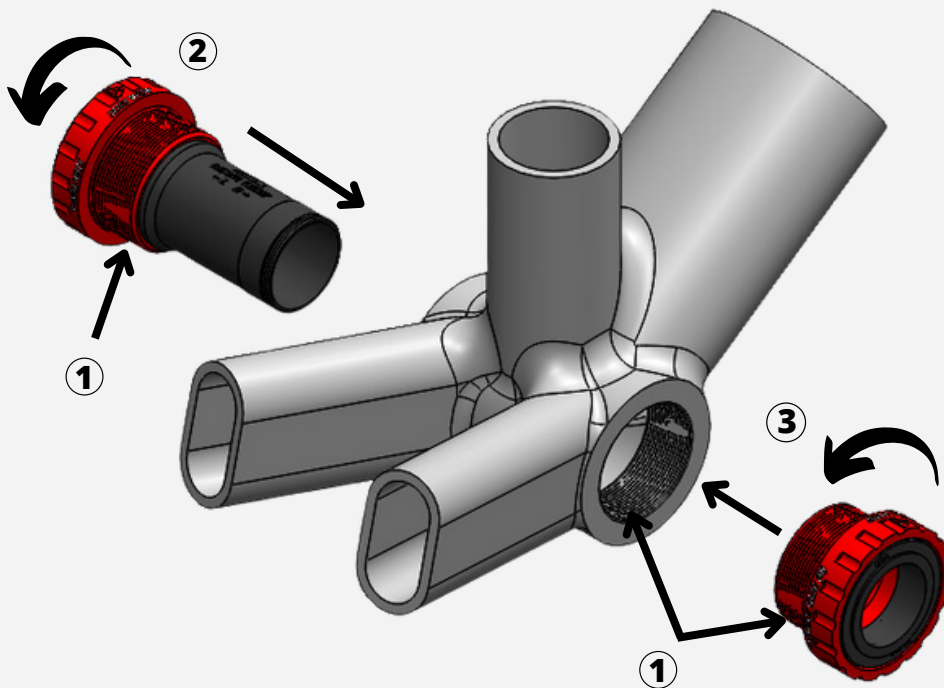
Scan this QR Code to access our installation video and social media.



# BSA 24MM - QUICK INSTALLATION

1. Grease
2. Screw the left cup, tighten to 40 Nm
3. Screw the right cup, tighten to 40 Nm

Non Drive Side (Left)

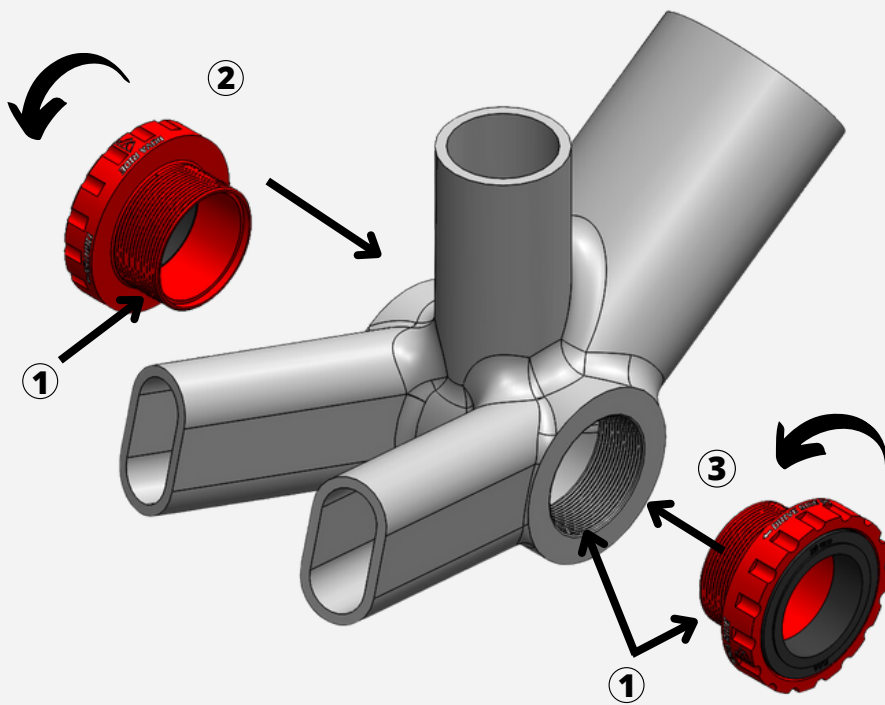


Drive Side (Right)

# BSA 29/30MM - QUICK INSTALLATION

1. Grease
2. Screw the left cup, tighten to 40 Nm
3. Screw the right cup, tighten to 40 Nm

Non Drive Side (Left)

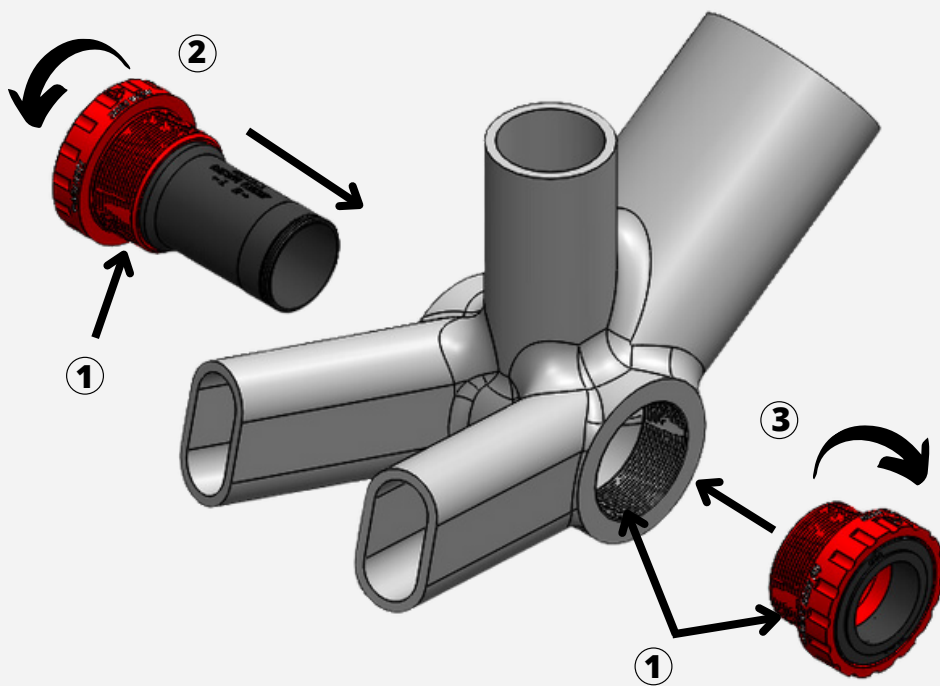


Drive Side (Right)

# ITA 24MM - QUICK INSTALLATION

1. Grease
2. Screw the left cup, tighten to 40 Nm
3. Screw the right cup, tighten to 40 Nm

Non Drive Side (Left)

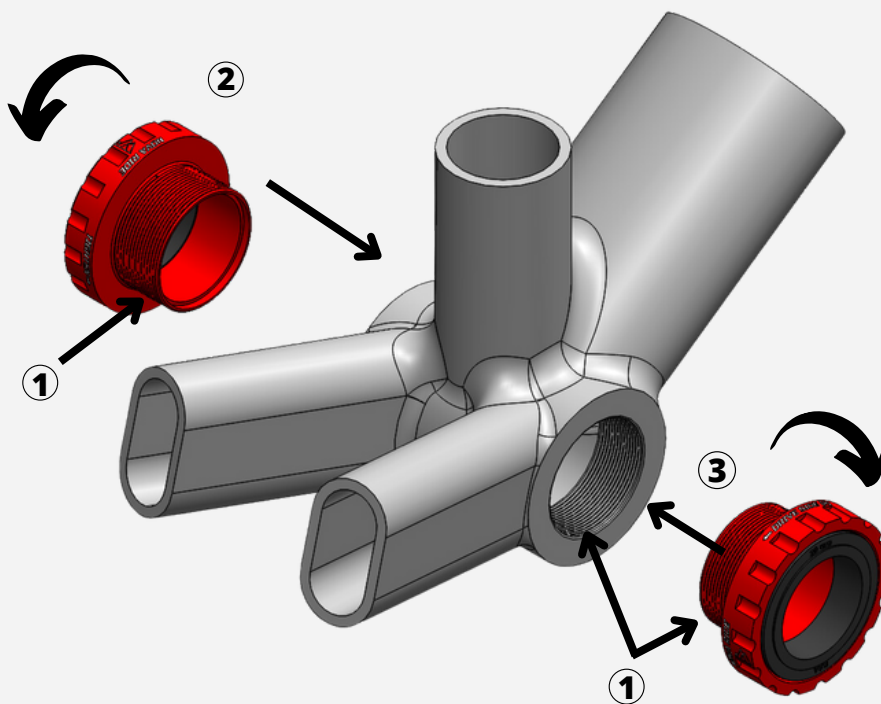


Drive Side (Right)

# ITA 29/30MM - QUICK INSTALLATION

1. Grease
2. Screw the left cup, tighten to 40 Nm
3. Screw the right cup, tighten to 40 Nm

Non Drive Side (Left)

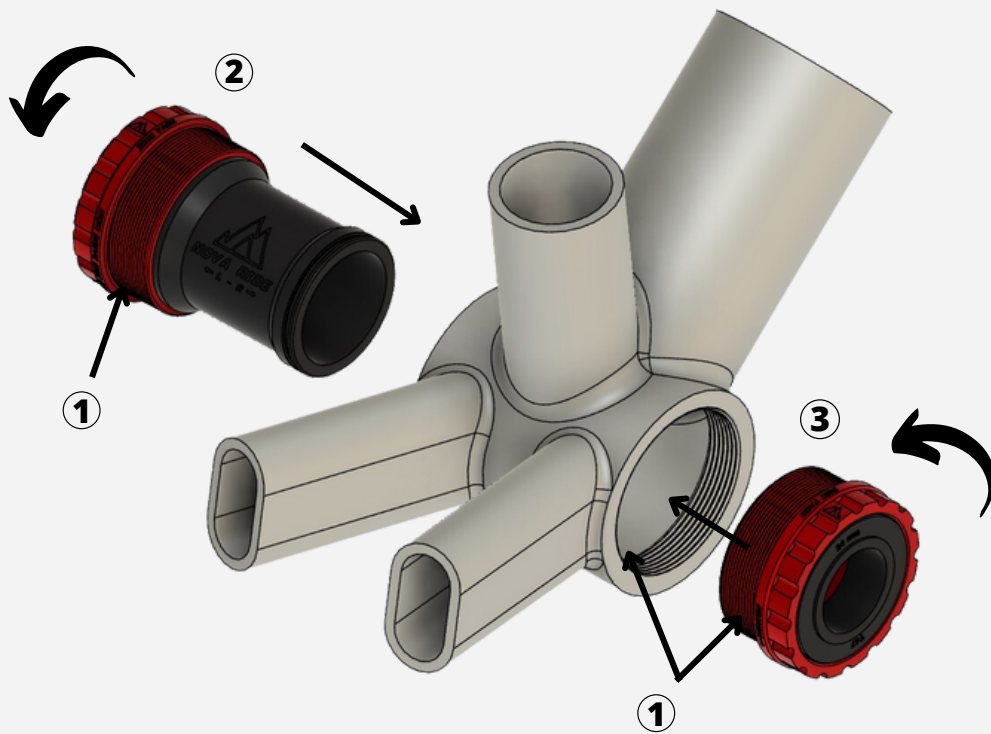


Drive Side (Right)

# T47 68 24/29/30MM - QUICK INSTALLATION

1. Grease
2. Screw the left cup, tighten to 40 Nm
3. Screw the right cup, tighten to 40 Nm

Non Drive Side (Left)

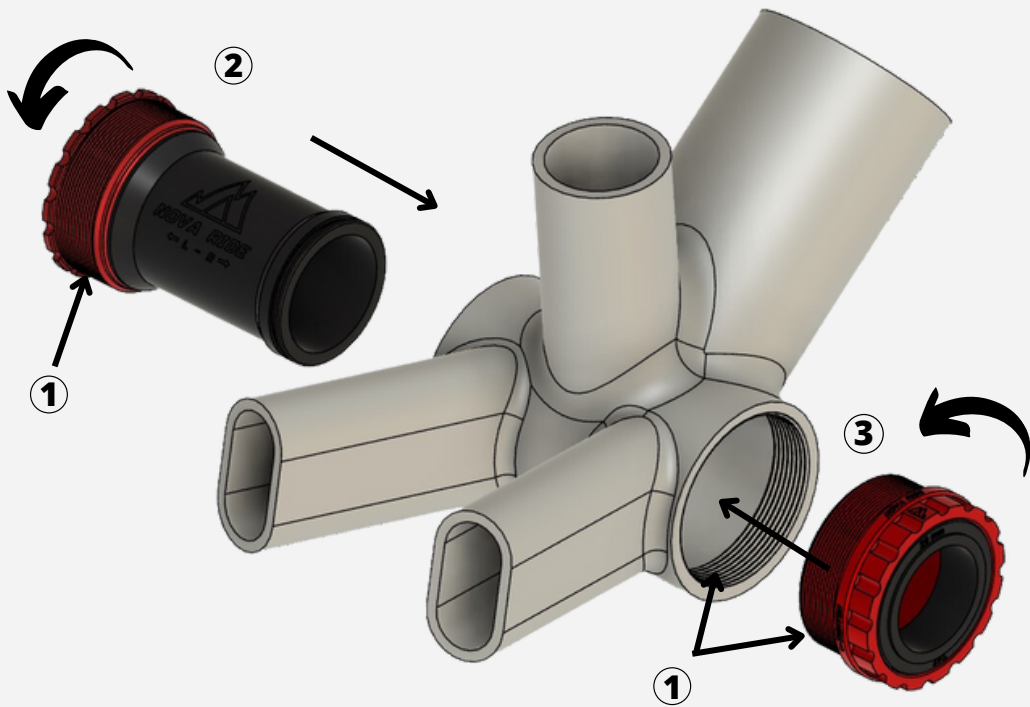


Drive Side (Right)

# T47 77A 24/29/30MM - QUICK INSTALLATION

1. Grease
2. Screw the left cup, tighten to 40 Nm
3. Screw the right cup, tighten to 40 Nm

Non Drive Side (Left)



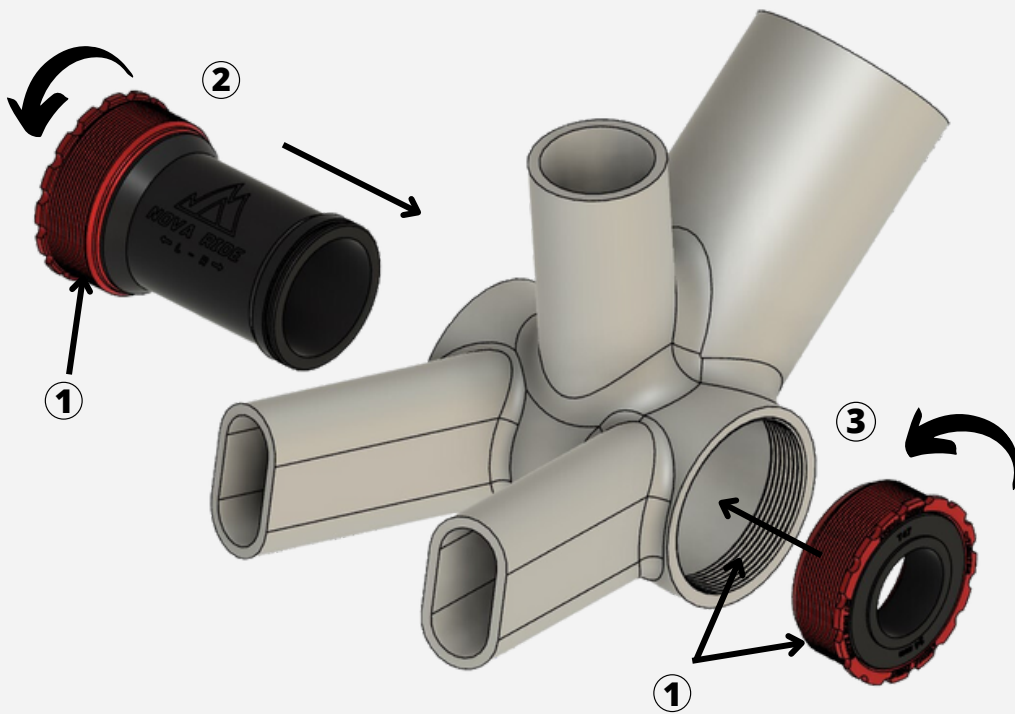
Drive Side (Right)



# T47 85,5 24/29/30MM - QUICK INSTALLATION

1. Grease
2. Screw the left cup, tighten to 40 Nm
3. Screw the right cup, tighten to 40 Nm

Non Drive Side (Left)



Drive Side (Right)

# STEP BY STEP INSTALLATION - PART 1

1. Clean and degrease frame threads.



2. Grease the bottom bracket and frame threads.

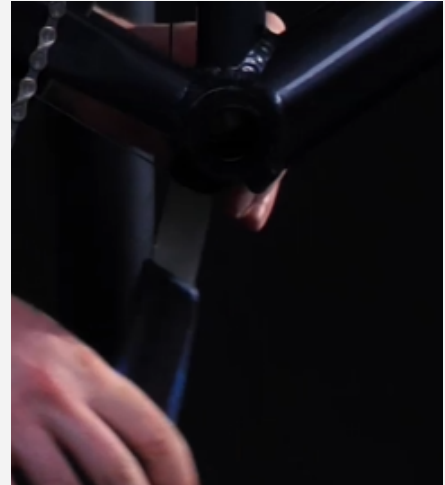


3. Detach the right cup from the bottom bracket.



## STEP BY STEP INSTALLATION - PART 2

4. Screw the left cup with the sealing piece into the frame on the non drive side by hand in a clockwise direction and then tighten it with a key tool to 40 nanometers.



5. **BSA & T47** : Screw the right cup, into the crankset side, by hand and then after with the tightening tool (40 nanometers) that you have chosen.. Attention: the thread is reversed, you need to turn counterclockwise.



5. **ITA** : Screw the right cup in a clockwise direction into the crankset side, by hand first and then after with the tightening tool (40 nanometers) that you have chosen .



## STEP BY STEP INSTALLATION - PART 3

6. Reinstall your crankset and your chain.



# WARRANTY TERMS

Nova Ride warrants all products to be free from defects in materials and workmanship. The warranty is effective from the original date of purchase. The warranty covers all Nova Ride products. It is non-transferable and valid to the original purchaser of the product only.

**CNC Alloy cups : Lifetime warranty.**

**Bearings : 4 years warranty.**

Any Nova Ride product found to be defective in materials and/or workmanship will be repaired or replaced at the discretion of Nova Ride. It is the sole responsibility of the product's user to inspect and examine the product on a regular basis to determine the need for correct maintenance or replacement.

Not covered under the warranty program : Products determined to be tampered with, modified or neglected, products that have been misused, products in lack of maintenance, products that are subject to normal wear and tear, products affected by a crash or sudden obscure impact, products damaged due to improper installation/reinstallation, products used for any purpose other than the intended use and second hand purchased products.

Fully ceramic sealed bearings so indeed there is no risk of oxidation.

# CONTACT

## **Email for After Sales Service**

sav@novatoride.com

## **Email for Product info**

info@novatoride.com

---

## **Instagram**

nova2ride

## **Facebook**

novaridecomponents

## **YouTube**

Nova Ride

## **LinkedIn**

Nova Ride



# HAVE A NICE RIDE

